



Use this guide to safely unpack a system.



Safety Notices

CAUTION

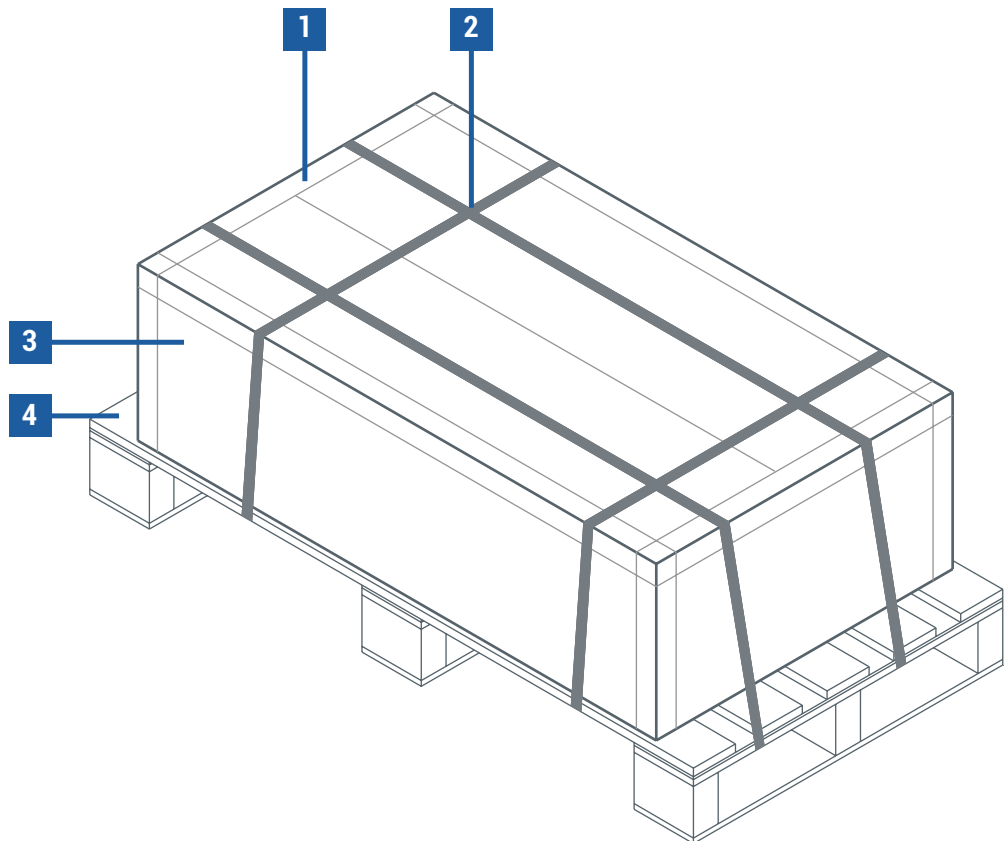
To avoid personal injury or damage to the system, do not attempt to remove the system before you remove the shipping box from the shipping pallet.

CAUTION

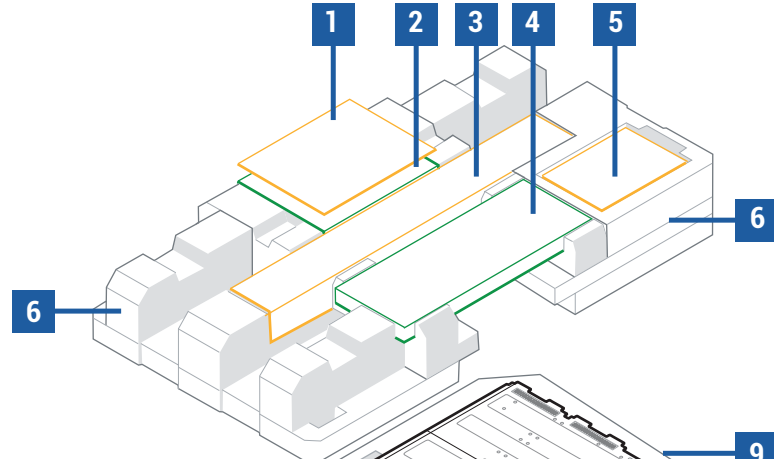
To avoid personal injury or damage to the system, up to three persons may be needed to lift the shipping box and remove it from the shipping pallet.

Remove plastic outer wrapping. Remove straps and protective cardboard pillars, then remove box from pallet. Carefully cut around top box flaps to open, and continue with instructions on back page.

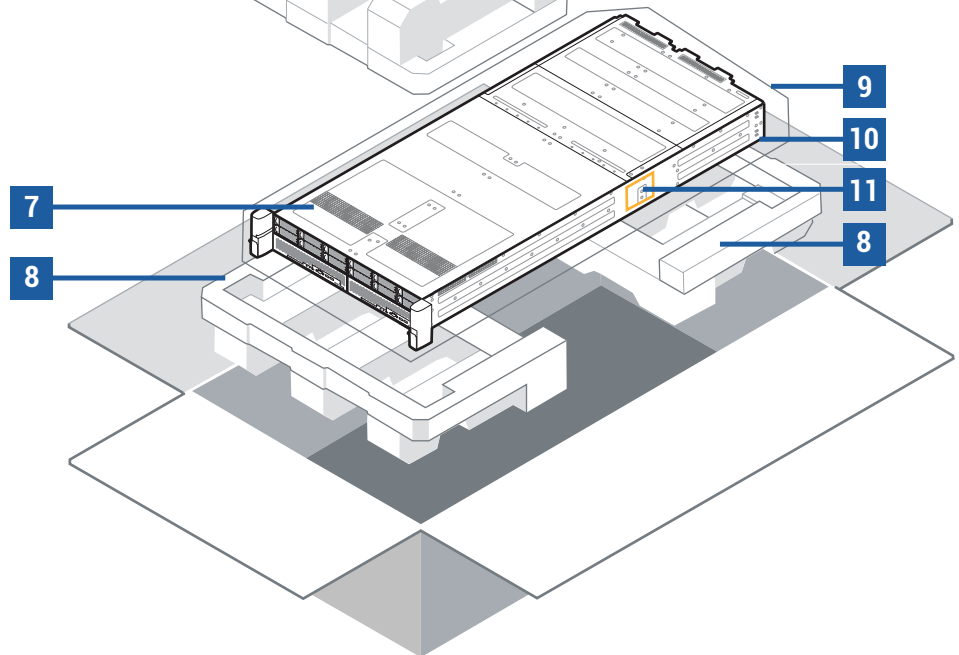
- 1. Cardboard pillar (8)
- 2. Strap (4)
- 3. Shipping box
- 4. Pallet



Remove accessories from packing foam, then remove top foam pieces to expose system. Carefully lift system from packing foam and remove from ESD plastic bag. To install, continue with steps in **Deploying a System** guide (in box) and in StrataDOC (online at link below).



1. **Deploying a System** guide
2. Power cord box
3. Rail kit box
4. Keyboard box
5. Mouse box
6. Foam top front and rear
7. ztC Endurance system
8. Foam bottom front and rear
9. Electrostatic discharge (ESD) bag
10. ESD foam sheet
11. Desiccant



For ztC Endurance **Release Notes** and documentation, visit StrataDOC by opening <https://ztcendurancedoc.stratus.com> or by scanning QR code, which is also available at front and rear of system chassis.

StrataDOC

